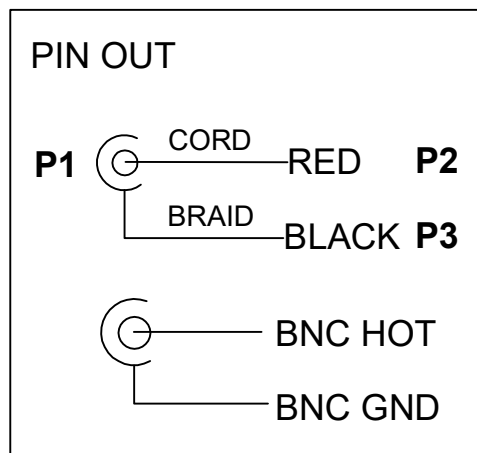


Part Number	Length(L)	Label contents (D)
BNCPB-58AU0200E	2000 <sup>+75</sup> <sub>-0</sub>	BNCPB-58AU0200E



J	Copper foil	8MM*50MM -LF-	
I	Inner mold	LDPE -HF-	Transparent
H	Tube	UL/CSA Ø1.5 -HF-	Black
G	Outer mold	PVC 45P -LF-	Black
F	Plug	Banana plug red PVC hood -LF-	Red
E	Plug	Banana plug black PVC hood -LF-	Black
D	Plug	BNC Male, Soldering type, 50 ohm -LF-	
C	Cable	UL1015 #20 OD:2.5 -LF-	Red
B	Cable	UL1015 #20 OD:2.5 -LF-	Black
A	Cable	RG58AU #20*1C(19/0.18)+PE INSULATION+BRAID(16*6/0.12) OD:5.0 -LF-	Black
NO	Material	Part NO./Spec.	Color

Unit : mm

Approved

Checked

Designer

Description

**BNC / M TO PLUG**

**Part NO: BNCPB-58AUXXXE**